

Inlet for PCB mounting, fuse 1-/2-pole, line switch 2-pole

Standard or Medical Fuse drawer



new



Screw-On Version

C14



70° C



Description

- Panel Mount:
Screw-on mounting on PCB from rear-side
- 3 Functions:
Inlet Protection class I, Line switch 2-pole, Fuseholder for fuse-links
5 x 20 mm 1- or 2-pole
- PCB solder terminals
- Alternative: version with line filter [DD22](#)
- With cover on rear-side

Approvals

- VDE License Number: 40018283
- UL License Number: E93617

Characteristics

- Ultra-compact design. Ideal for low profile designs
- All single elements are already wired
- For added safety "Extra-Safe" fuse drawers are available
Fuse drawer meets requirements of medical standard IEC/EN 60601-1
The fuse drawer can only be opened with the aid of a tool
The fuseholder is accessible from the equipment front
- Ideal for application with high transient loads
- Qualified for use in equipment according IEC/EN 60950

Other versions on request

- Fuse drawer 1-pole, plus spare fuse case
- Fuse drawer 2-pole, with shorting bar
- Other rocker marking
- Line switch 1-pole
- Protection class II, 70°C

Weblinks

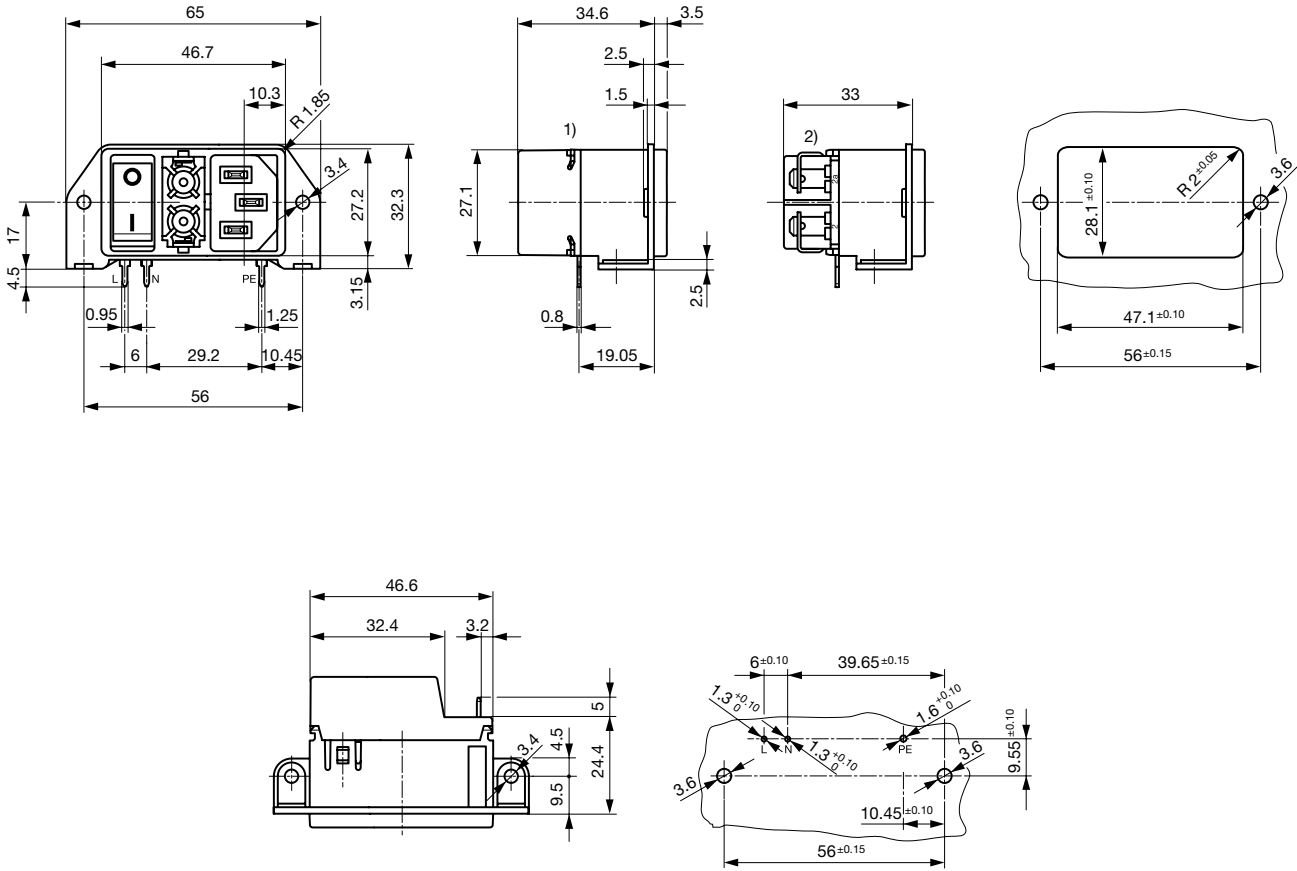
[Approvals](#), [RoHS](#), [CHINA-RoHS](#), [e-Store](#), [SCHURTER-Stock-Check](#), [Distributor-Stock-Check](#)

Technical Data

Ratings IEC	10A / 250VAC; 50Hz	Appliance-Inlet/-Outlet	C14 acc. to IEC/EN 60320-1 UL 498, CSA C22.2 no. 42 (for cold conditions) pin-temperature 70 °C, 10A, Protection class I
Ratings UL/CSA	8A / 125VAC; 60Hz	Fuseholder	1 or 2 pole, Shocksafe category PC2 acc. to IEC 60127-6, for fuse-links 5 x 20mm
Dielectric Strength	> 2.5kVAC between L-N > 3kVAC between L/N-PE (1 min/50Hz)	Rated Power Acceptance @ Ta 23 °C	5 x 20: 2W (1 pole)/ 1.6W (2-pole) per pole
Allowable Operation Temp.	-25°C to 85°C	Power Acceptance @ Ta > 23°C	Admissible power acceptance at higher ambient temperature see derating curves
Degree of Protection	from front side IP 40 acc. to IEC 60529	Line Switch	Rocker switch 2-pole, non-illuminated or illuminated, acc. to IEC 61058-1 Technical details
Protection Class	Suitable for appliances with protection class I or II acc. to IEC 61140		
Terminal	For PCB mounting 3 mm, Ground terminal, additional quick connect 4.8 x 0.8 mm		
Panel Thickness s	Screw-on: max 3mm Mounting screw torque max 0.5Nm		
Material: Housing	Thermoplastic, black, UL 94V-0		

Dimensions
Screw version

Length |-----| 65 mm

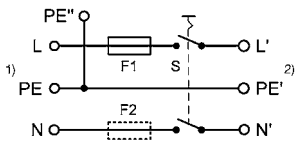


- 1) with cover
- 2) without cover

For grounding additional quick connect terminal 4.8 x 0.8 mm

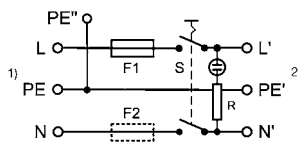
Diagrams

non illuminated



- 1) Line
- 2) Load

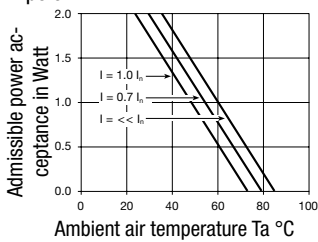
illuminated



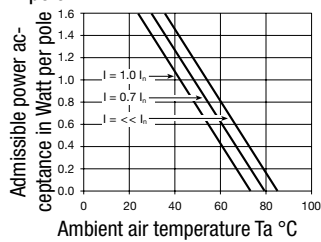
- 1) Line
- 2) Load

Derating Curves for Fuseholders

1-pole



2-pole



Variants

Distributor-Stock-Check | SCHURTER-Stock-Check | e-Store

Fuse drawer must be ordered separately (see accessories).
Fingerrip and Extra Safe. The same drawer as used by type KEA.

Fuseholder	Line Switch	Illumination	Color	Order Number
1 pole	2-pole	non-illuminated	-	DD21.0111.1111
1 pole	2-pole	illuminated	red	DD21.0113.1111
1 pole	2-pole	illuminated	green	DD21.0114.1111
2-pole	2-pole	non-illuminated	-	DD21.0121.1111
2-pole	2-pole	illuminated	red	DD21.0123.1111
2-pole	2-pole	illuminated	green	DD21.0124.1111

Packaging unit 40 Pcs

Required Accessory**Description****Fusedrawer 2**

Fusedrawer with and without voltage selector insert



Fingerrip, 2-pole	4301.1401
Extra-Safe, 2-pole	4301.1403
Fingerrip, 1 pole	4301.1405
Extra-Safe, 1 pole	4301.1407

...